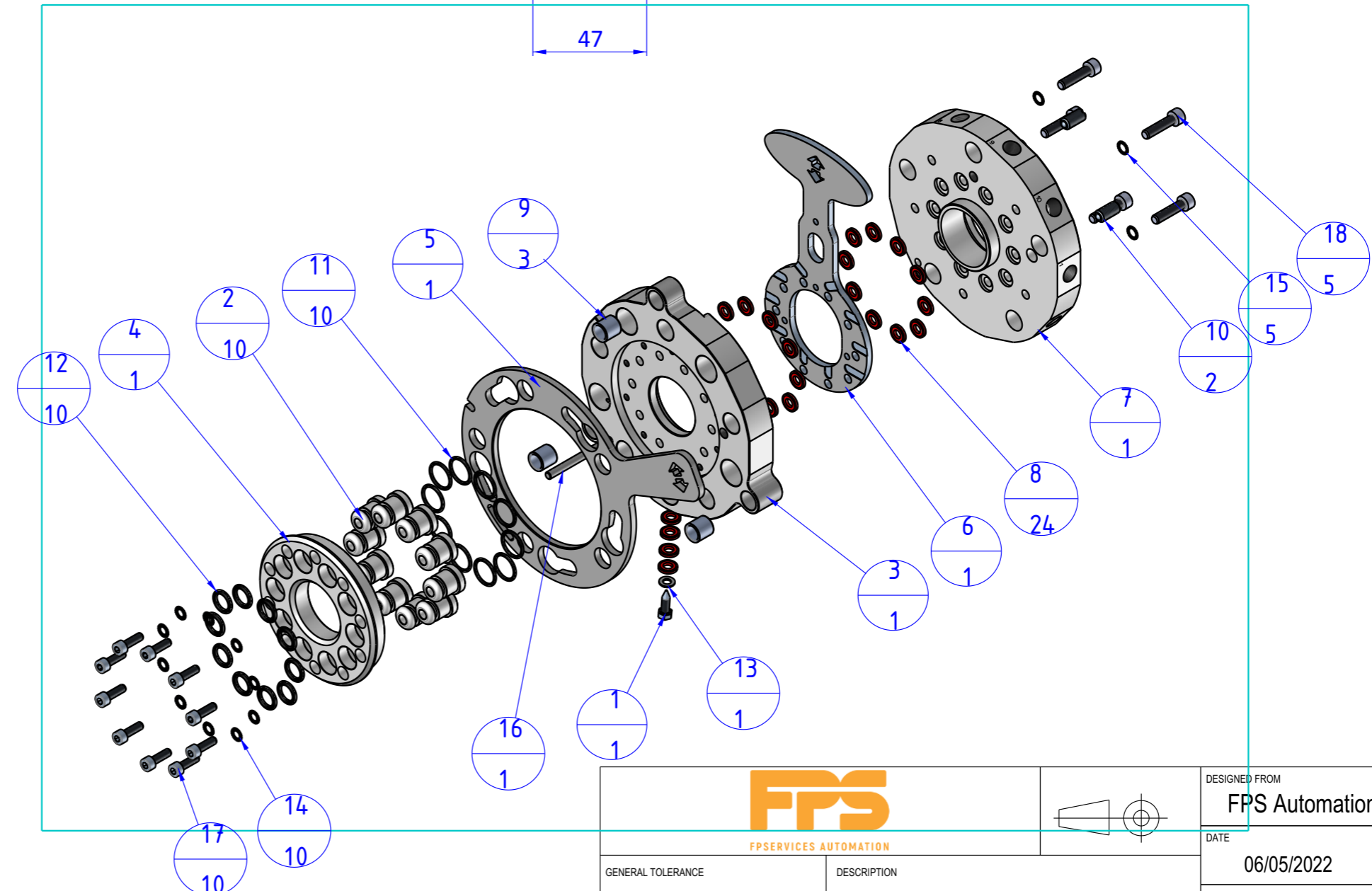
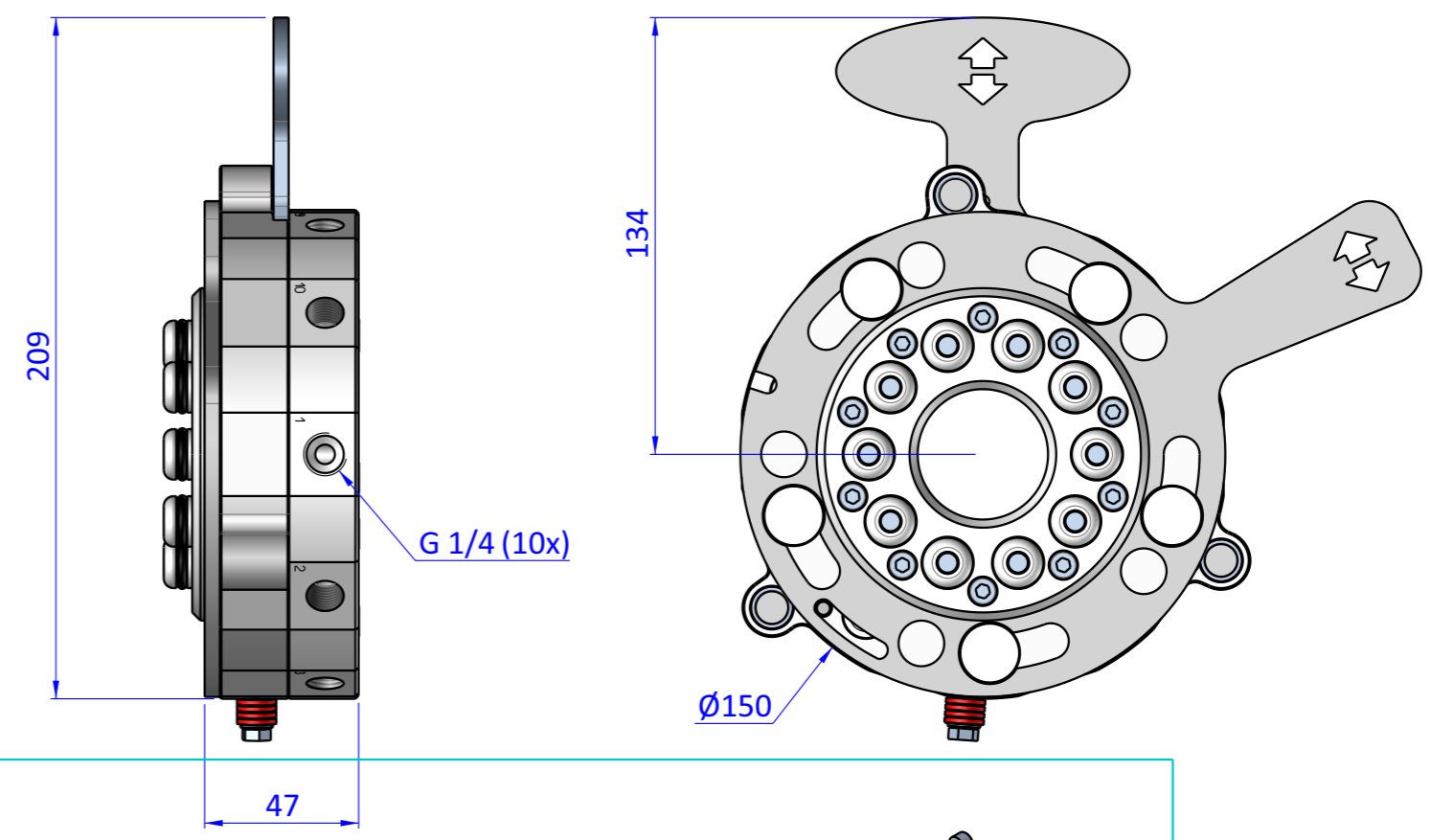



THE PROPERTY OF THE DRAWING IS ESTABLISHED BY LAW. IT IS FORBIDDEN TO PRODUCE OR SHOW IT TO THIRD PART - WITHOUT A WRITTEN AGREEMENT.

Item	Name	Q.ty
1	01.01.001.08	1
2	01.01.003.04	10
3	CUDL.150.01	1
4	CUDL.150.02	1
5	CUDL.150.03L	1
6	CUDL.150.04L	1
7	CUDL.150.05	1
8	CUDL.150.06	24
9	CUDL.150.10	3
10	EL.GN.33131	2
11	OR.2062	10
12	OR.3043	10
13	R.5	1
14	R.5.SCH	10
15	R.6.SCH	5
16	SP.5X45	1
17	V.TCE5x16	10
18	V.TCE6x25	5



Format A3
UNI 936-76

 FPS FPSERVICES AUTOMATION		DESIGNED FROM	REVIEW
		FPS Automation	A
GENERAL TOLERANCE	DESCRIPTION	DATE	WEIGHT
UNI - ISO 2768	CA.CUDL.150	06/05/2022	2,219kg
CLASSE f		CODE	CA.CUDL.150